



CIRCUIT BREAKER 400V 6KA, 4-POLE, C,  
50A, D=70MM

Similar to image

**Further information:**

**Information- and Downloadcenter (Catalogs, Brochures,...)**

<http://www.siemens.com/lowvoltage/catalogs>

**Global Industry Mall (Online ordering system)**

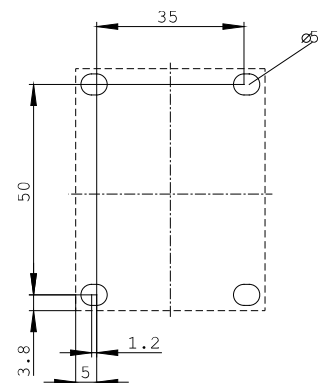
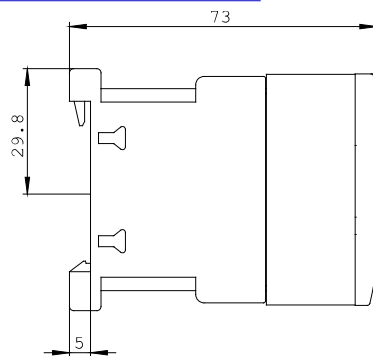
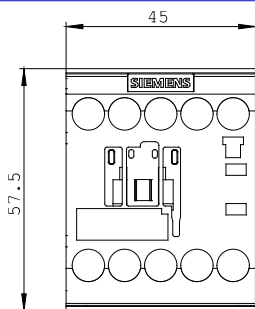
<http://www.siemens.com/lowvoltage/mall>

**Service&Support (Manuals, Certificates, Characteristics, FAQs,...)**

<http://support.automation.siemens.com/WW/view/en/5SY6450-7/all>

**Image database (product images, 2D dimension drawings, 3D models, device circuit diagrams, ...)**

[http://www.automation.siemens.com/bilddb/cax\\_en.aspx?mlfb=5SY6450-7](http://www.automation.siemens.com/bilddb/cax_en.aspx?mlfb=5SY6450-7)



**last change:**

Dec 2, 2013